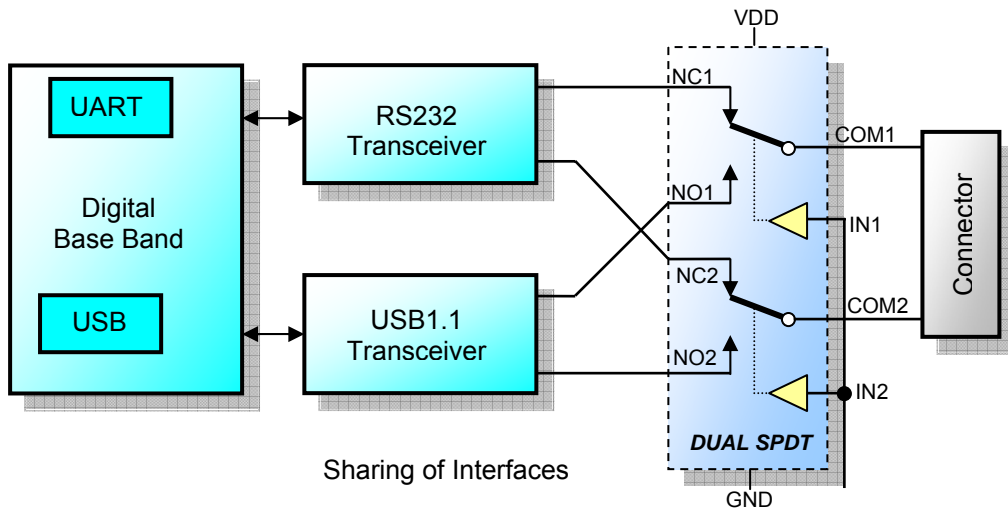


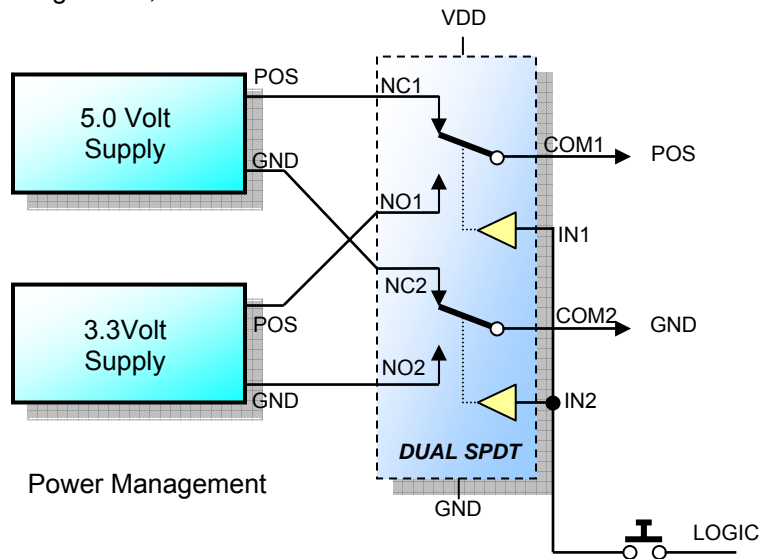
Many Mobile phones feature more functions to make them more attractive to the end user, like PDA, Digital camera, MP3 and FM radio. This requires sharing of interfaces in terms of connection pins. Handsets use shared pin designs by the adoption of Analog Switches.

The Protek Devices Analog Product Divisions offers The Dual SPDT (Single Pole Double Throw) Analog switch in various formats to take care of this need.

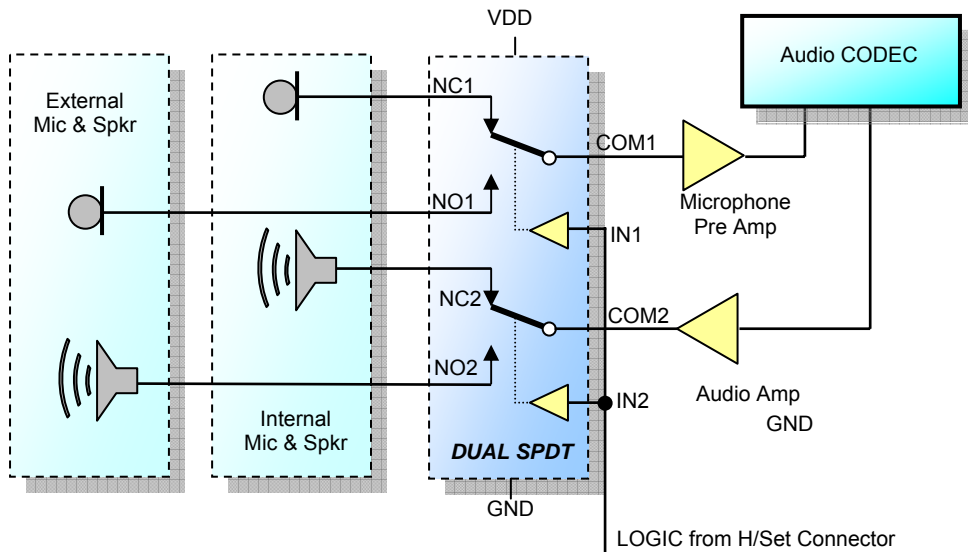
- PA3535/PA3536 CSP 0.25Ω RDS<sub>ON</sub> Dual SPDT Analog Switch
- PA2535/PA2536 DFN-10 Package 0.35Ω RDS<sub>ON</sub> Dual SPDT Analog Switch
- PA4684 CSP 0.5Ω RDS<sub>ON</sub> Dual SPDT Analog Switch
- PA2312 LoPro© 10 Lead Micro Package 0.6Ω RDS<sub>ON</sub> Ultra Small Dual SPDT Analog Switch



The use of a SPDT analog switch, allows selection between UART and USB Data transmission

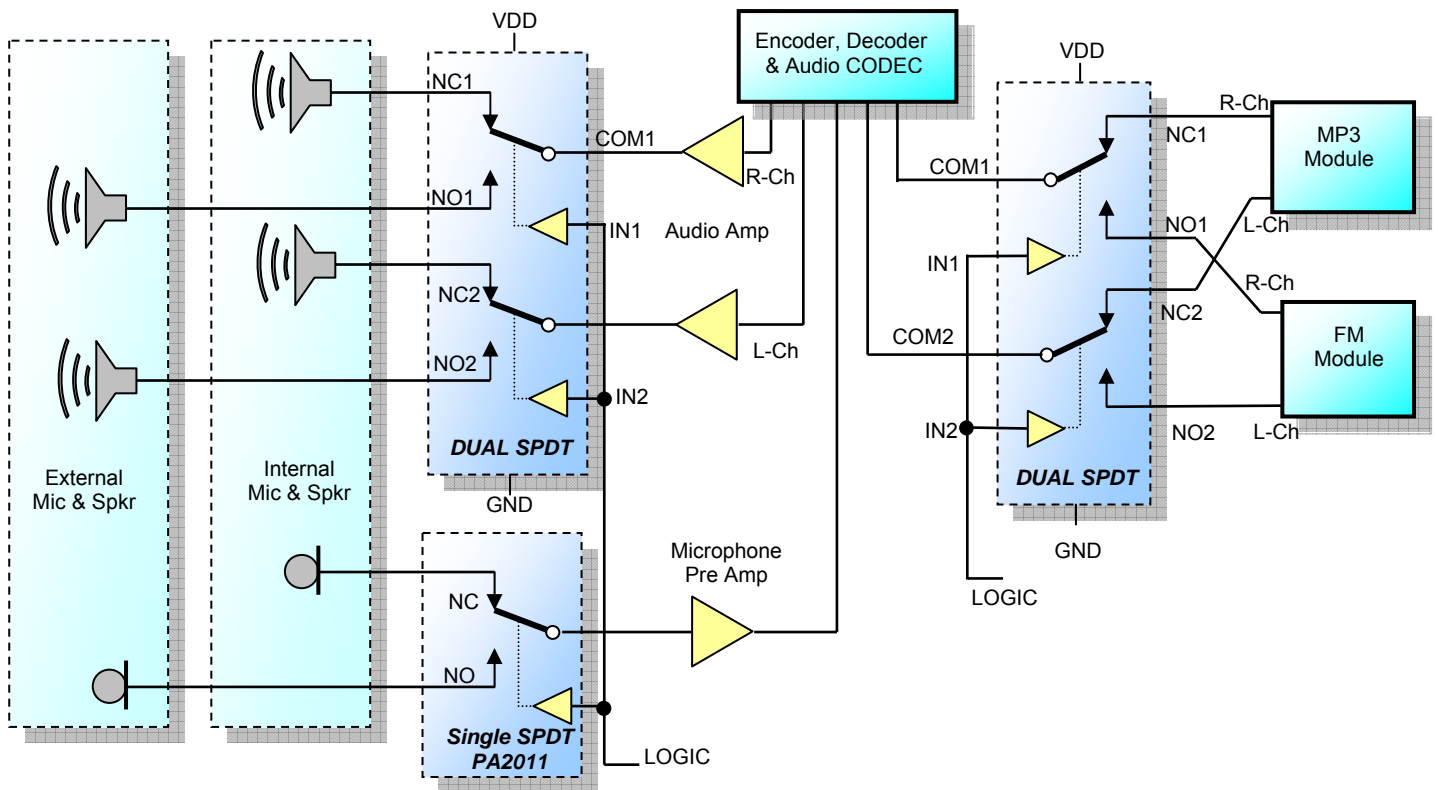


The use of a Dual SPDT analog switch allows for selection of either dual power supply units



Switching of Audio

Handsets require the function of switching from internal speaker microphone to external speaker microphone combination (Headset). A dual SPDT analog switch replaces the discrete and mechanical components, providing a more reliable lifetime of switching.



Application showing switching of Stereo Audio from FM module and MP3 Player to internal or external speakers.