

# Press Release

## PA2222, PA2222T SPDT Analog Switches in LoPro<sup>®</sup> 10 Lead TQFN Package



Chandler, Ariz., January 2009

ProTek Devices, Analog Product Division introduces the ultra small PA2222, PA2222T SPDT Analog switches. The PA2222, PA2222T are dual high-bandwidth, fast single-pole double throw (SPDT) CMOS switches.

ProTek Analog's PA2222, PA2222T are dual high-bandwidth (100MHz), fast single-pole double throw (SPDT) CMOS switches. They can be used as analog switches or as low-delay bus switches.

Specified over a operating power supply voltage, 2.7V to 3.3V, the PA2222, PA2222T has an On-Resistance of 0.6Ω at +2.7V.

Break-before-make switching prevents both switches being enabled simultaneously. This eliminates signal disruption during switching.

The PA2222T includes termination resistors that improve noise immunity during overshoot excursions and off isolations or pop-up noise minimization

The PA2222, PA2222T is available in a ultra small LoPro<sup>®</sup> 10 Lead TQFN Package measuring 1.3 x 1.6 x 0.55mm specified for operation over the -40°C to +85°C temperature range.

Sample quantities are available upon request. Pricing is \$0.65 each in quantities of 3,000 pieces. SPICE model and parameters are available for circuit simulation on request.

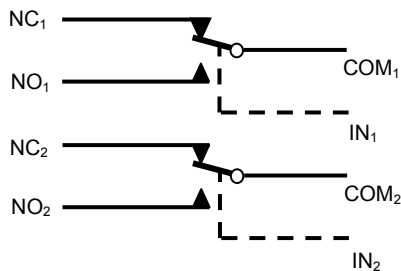
### Features

- CMOS Technology for Bus and Analog Applications
- Low On-Resistance: 0.6Ω.
- V<sub>CC</sub> Range: 2.7V to 3.3V ±10%
- Rail-to-Rail Signal Range
- High Off Isolation: -75dB @ 100kHz
- Crosstalk Rejection: -90dB @ 100kHz
- Break-Before-Make Switching
- Extended Industrial Temperature Range: -40°C to 85°C
- LoPro<sup>®</sup> Package (Pb-free): 10-Lead Micro Package

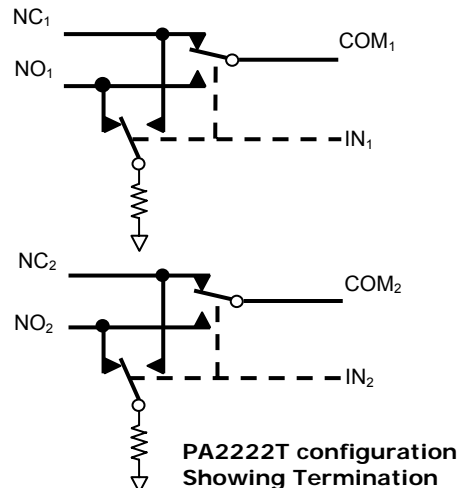
### Applications

- Cell Phones
- PDA's
- MP3 players
- Portable Instrumentation
- Computer Peripherals
- Speaker Headset Switching
- Relay Replacement
- Audio and Video Signal Routing
- PCMCIA Cards
- Modems
- USB1.1

### FUNTIONAL DIAGRAMS:



PA2222 configuration

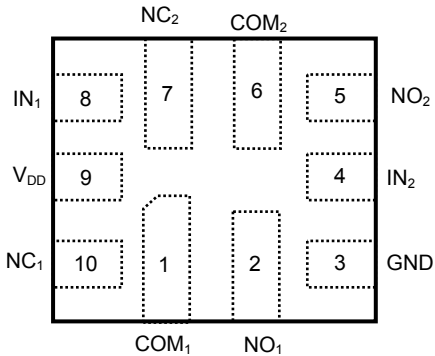


PA2222T configuration  
Showing Termination

# Press Release

## PIN CONFIGURATION

Viewed through the TOP



## ORDERING INFORMATION

Temperature Range	Package	Part Number
-40 to 85 °C	10 Lead LoPro	PA2222-T7
-40 to 85 °C	10 Lead LoPro	PA2222T-T7

## About ProTek Devices

ProTek Devices Analog Product Division, based in Chandler, Ariz., provides advanced Analog and transient voltage suppression (TVS) for Voice, Video and Data (V2D). With more than 25 years of engineering and manufacturing experience, ProTek provides Analog and TVS solutions which function effectively with the latest high-speed communication and networking products.

### For General Information, Contact:

ProTek Devices Analog Product Division  
561 E. Elliot Road. #175  
Chandler, Arizona 85225.  
USA  
Tel: 480- 539-2900  
Fax: 480-632-1715  
Email: [sales@protekdevices.com](mailto:sales@protekdevices.com)  
Web: [www.protekanalog.com](http://www.protekanalog.com)

### For Technical Information, Contact:

Ivan Lawson  
Tel: 480 539-2900  
Email: [ivanlawson@protekdevices.com](mailto:ivanlawson@protekdevices.com)



ANALOG PRODUCTS DIVISION

