

Press Release

PA2312 SPDT Analog Switch in LoPro[®] 10 Lead TQFN Package



Tempe, Ariz., May 2008

ProTek Devices, Analog Products Group introduces the ultra small PA2312 SPDT Analog switch. The PA2312 is a dual high-bandwidth, fast single-pole double throw (SPDT) CMOS switch.

This device can be used as an analog switch or as a low-delay bus switch. Specified over an operating power supply voltage, 2.7V to 3.3V, the PA2312 has an On-Resistance of 0.6Ω at +2.7V.

Break-before-make switching prevents both switches being enabled simultaneously. This eliminates signal disruption during switching

The switch can be used in laptop computers, where interfaces are shared with a cellular device or a PDA, allowing both UART and USB transceivers to transfer data.

The PA2312 is available in a ultra small LoPro[®] 10 lead TQFN package measuring 1.3 x 1.6mm specified for operation over the -40°C to +85°C temperature range.

Sample quantities are available upon request. Pricing is \$0.35 each in quantities of 3,000 pieces. SPICE model and parameters are available for circuit simulation on request.

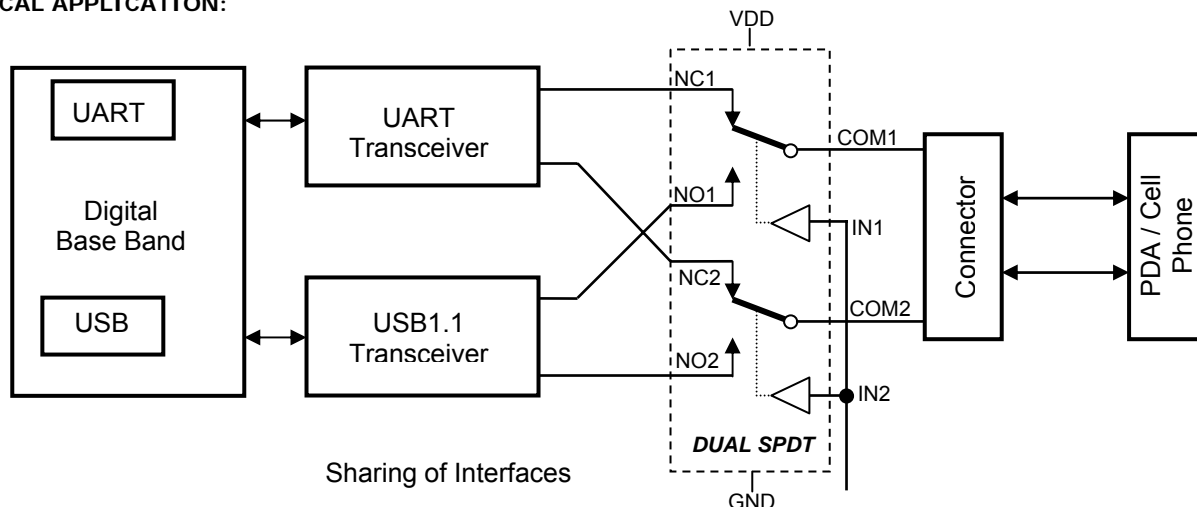
Features

- CMOS Technology for Bus and Analog Applications
- Low On-Resistance: 0.6Ω.
- V_{CC} Range: 2.7V to 3.3V ±10%
- Rail-to-Rail Signal Range
- High Off Isolation: -75dB @ 100kHz
- Crosstalk Rejection: -90dB @ 100kHz
- Break-Before-Make Switching
- Extended Industrial Temperature Range: -40°C to 85°C
- LoPro[®] Package (Pb-free): 10-Lead Micro Package

Applications

- Cell Phones
- PDAs
- MP3 players
- Portable Instrumentation
- Computer Peripherals
- Speaker Headset Switching
- Power Routing
- Relay Replacement
- Audio and Video Signal Routing
- PCMCIA Cards
- Modems

TYPICAL APPLICATION:



Sharing of Interfaces

Press Release

About ProTek Devices

ProTek Devices, based in Tempe, Ariz., provides advanced Analog and transient voltage suppression (TVS) for Voice, Video and Data (V2D). With more than 25 years of engineering and manufacturing experience, ProTek provides Analog and TVS solutions which function effectively with the latest high-speed communication and networking products.

For General Information, Contact:

ProTek Devices
Analog Products Group
561 E. Elliot Road. #175
Chandler, Arizona 85225.
USA
Tel: 480- 539-2900
Fax: 602-431-2288
Email: sales@protekanalog.com
Web: www.protekanalog.com

For Technical Information, Contact:

Ivan Lawson
Tel: 480 539-2900
Email: ivanlawson@protekdevices.com



ANALOG PRODUCTS DIVISION

