

# Press Release

## PA2535 SPDT Analog Switch in DFN-10 Package



Tempe, Arizona, September 2, 2007 - ProTek Analog a division of ProTek Devices introduces the 0.35 $\Omega$  PA2535/PA2536DN dual S.P.D.T. analog switches designed for low voltage applications.

The PA2535/PA2536 has an on-resistance matching (less than 0.05 $\Omega$  @ 2.7 V) and flatness (less than 0.2 $\Omega$  @ 2.7 V) that is guaranteed, over the entire voltage range.

Low logic thresholds make the PA2535/PA2536 an ideal interface to low voltage DSP control signals.

In a space saving DFN-10 lead (Pb)-free package, the PA2535/PA2536 are high performance, low  $R_{on}$  switches perfect for battery powered applications.

The PA2535/PA2536 has fast switching speeds of 52ns, with break before make guaranteed.

In the On condition, all switching elements conduct equally in both directions. Off-isolation and crosstalk is -69 dB @ 100 kHz.

The PA2535/PA2536 is built on ProTek Analog's high-density low voltage CMOS process. An epitaxial layer is built in to prevent latch up.

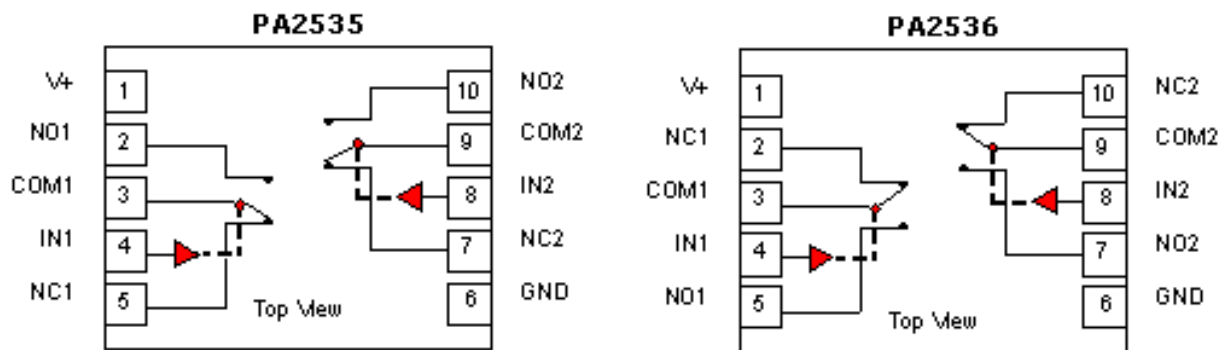
The PA2535/PA2536 contains the additional benefit of built in 2,000 Volt E.S.D. protections.

PA2535 is specified for operation over the -40 $^{\circ}$ C to +85 $^{\circ}$ C temperature range.

As a committed partner to the community and the environment, ProTek Analog manufactures this product with the lead (Pb)-free device terminations. No lead (Pb) is used in the manufacturing process either inside the device/package or on the external terminations..

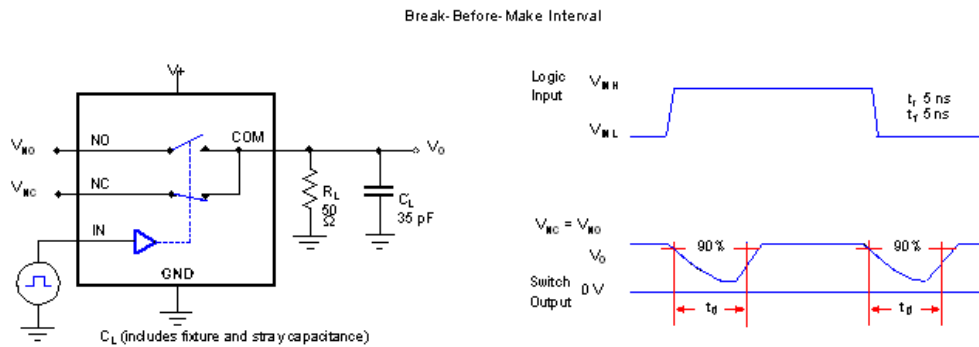
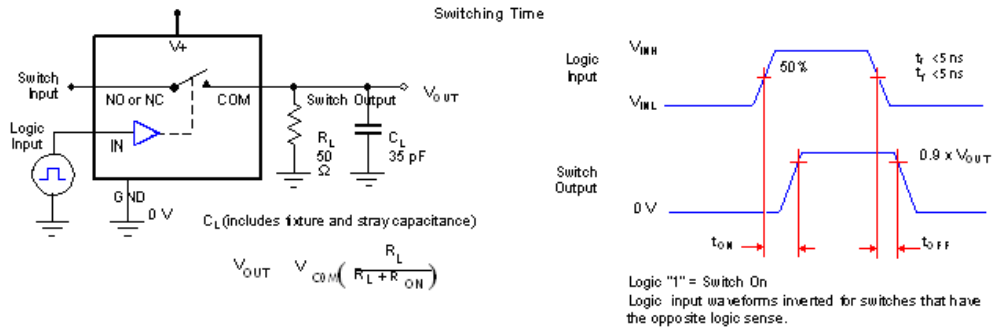
Sample quantities are available upon request

### FUNCTIONAL BLOCK DIAGRAM:

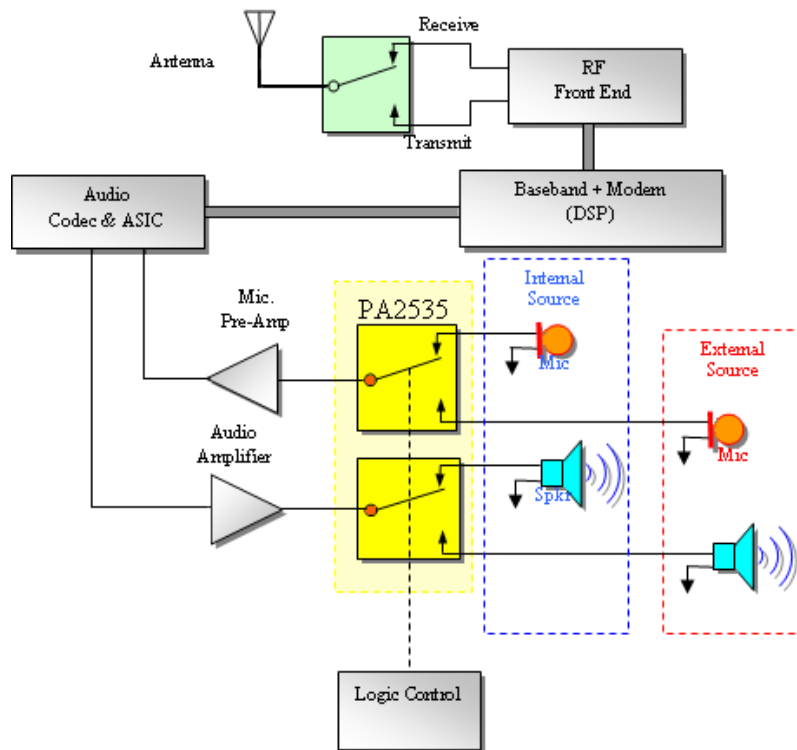


# Press Release

## TYPICAL WAVEFORMS



## TYPICAL APPLICATION



# Press Release

---

## About ProTek Devices

ProTek Analog, based in Tempe, Ariz., is a division of ProTek Devices, a leading supplier of transient voltage suppression (TVS) solutions for Voice, Video and Data (V2D). ProTek Analog manufactures advanced Telecom ICs, Audio ICs, analog switches and multiplexers that work in conjunction with any host controller, EPROM, FPGA, and even Home Plug standards.

For more information, contact: ProTek Analog, 2929 S. Fair Lane, Tempe, Arizona 85282 USA. Tel: (602) 431-8101, Fax: (602) 414-5141, E-mail: [sales@protekanalog.com](mailto:sales@protekanalog.com), Web: [www.protekanalog.com](http://www.protekanalog.com).

### For General Information, Contact:

ProTek Devices  
2929 South Fair Lane  
Tempe, Arizona 85282  
USA  
Tel: 602-431-8101  
Fax: 602-431-2288  
Email: [sales@protekanalog.com](mailto:sales@protekanalog.com)  
Web: [www.protekanalog.com](http://www.protekanalog.com)

### For Technical Information, Contact:

Ivan Lawson  
Tel: 602-414-5107  
Email: [ivanlawson@protekdevices.com](mailto:ivanlawson@protekdevices.com)  
  
Chandu Simiralla  
Tel: 602-414-5142  
Email: [chandu@protekdevices.com](mailto:chandu@protekdevices.com)