

# Press Release

## PA5134 24Bit, 192KHz Stereo D/A Converter for PCM Audio

Chandler, Ariz., January, 2010

ProTek Analog a division of ProTek Devices introduces the PA5134 a 24-Bit Stereo D/A converter for PCM Audio.

The PA5134 is a low cost stereo digital to analog converter.

The PA5134 can accept I<sup>2</sup>S serial audio data format up to 24-bit word length.

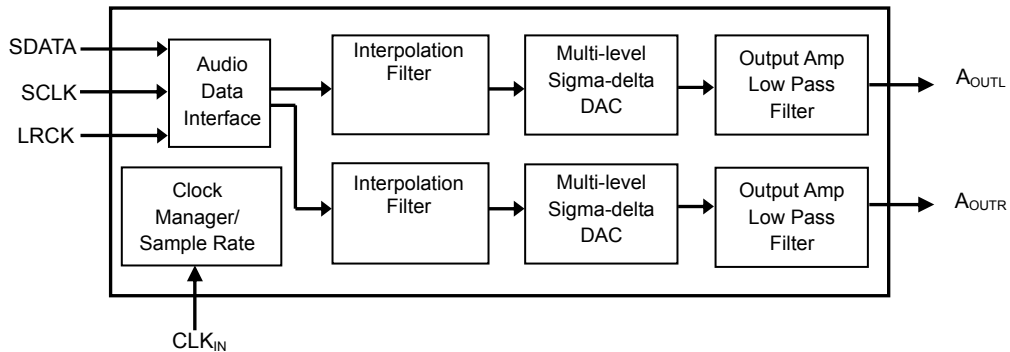
The device uses advanced multi-bit  $\Delta$ - $\Sigma$  (Delta Sigma) modulation technique to convert data into two channel analog outputs.

The multi-bit  $\Delta$ - $\Sigma$  modulator makes the device with very low sensitivity to clock jitter and very low out of band noise.

The PA5134 is available in a SO8-IC package and is specified for operation over the -40°C to +85°C temperature range.

Sample quantities are available upon request. SPICE model and parameters are available for circuit simulation on request.

### BLOCK DIAGRAM:



### APPLICATION USES

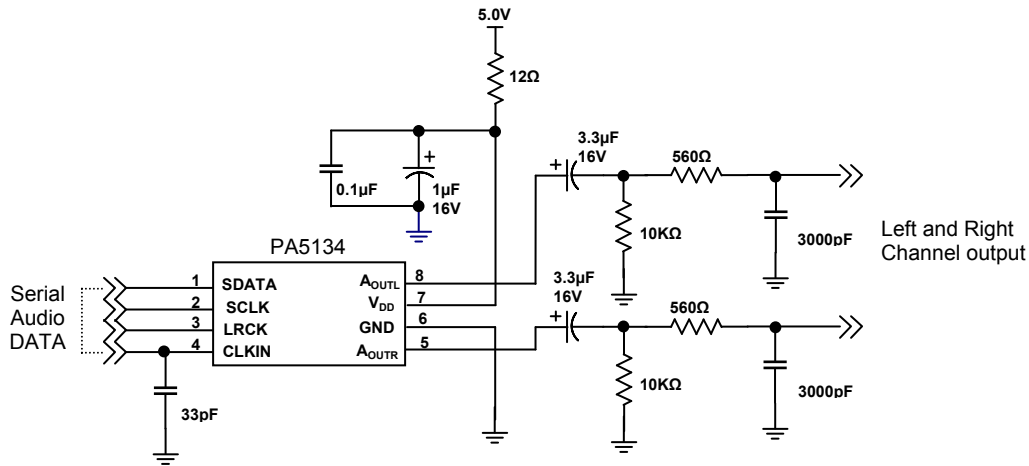
- DVD players
- Portable audio players
- Set top boxes
- Digital TVs

### FEATURES

- 95 dB dynamic range
- -85 dB THD+N
- Up to 200 kHz sampling frequency
- I<sup>2</sup>S audio data format, 16-24 bits
- Single power supply 4.5V to 5.5V

# Press Release

## TYPICAL APPLICATION



## About ProTek Devices

ProTek Devices, based in Chandler, Ariz., provides advanced Analog, Mixed signal and Transient Voltage Suppressor devices for Voice, Video and Data (V2D). With more than 25 years of engineering and manufacturing experience, ProTek provides Analog and TVS solutions which function effectively with the latest high-speed communication and networking products.

### For General Information, Contact:

ProTek Devices  
561 E Elliott Rd Suite 175  
Chandler, Arizona 85252  
USA  
Tel: 480-539-2900  
Fax: 480-747-1715  
Email: [sales@protekanalog.com](mailto:sales@protekanalog.com)  
Web: [www.protekanalog.com](http://www.protekanalog.com)

### For Technical Information, Contact:

Ivan Lawson  
Tel: 480-539-2900  
Email: [ivanlawson@protekanalog.com](mailto:ivanlawson@protekanalog.com)