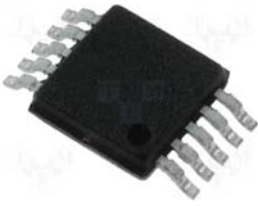


Press Release

PA5144 24Bit, 192KHz Stereo D/A Converter for PCM Audio



Chandler, Ariz., January, 2010

ProTek Analog a division of ProTek Devices introduces the PA5144 a 24-Bit Stereo D/A converter for PCM Audio.

The PA5144 is a low cost stereo digital to analog converter.

The PA5144 can accept I²S serial audio data format up to 24-bit word length.

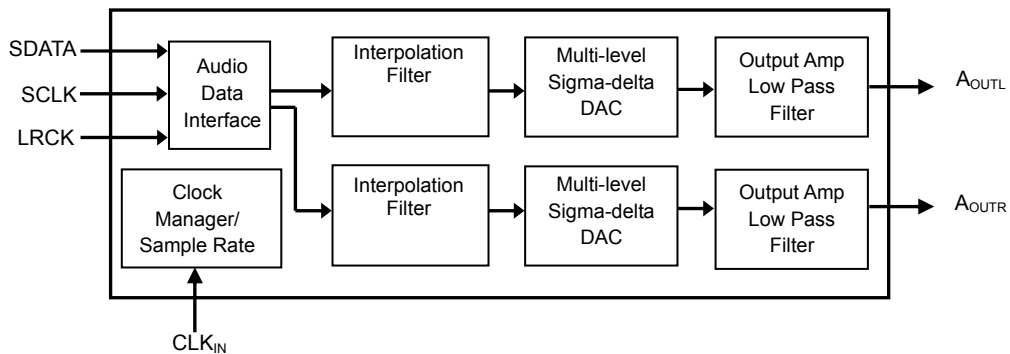
The device uses advanced multi-bit Δ - Σ (Delta Sigma) modulation technique to convert data into two channel analog outputs.

The multi-bit Δ - Σ modulator makes the device with very low sensitivity to clock jitter and very low out of band noise.

The PA5144 is available in a TSSOP10 package and is specified for operation over the -40°C to +85°C temperature range.

Sample quantities are available upon request. SPICE model and parameters are available for circuit simulation on request.

BLOCK DIAGRAM:



APPLICATION USES

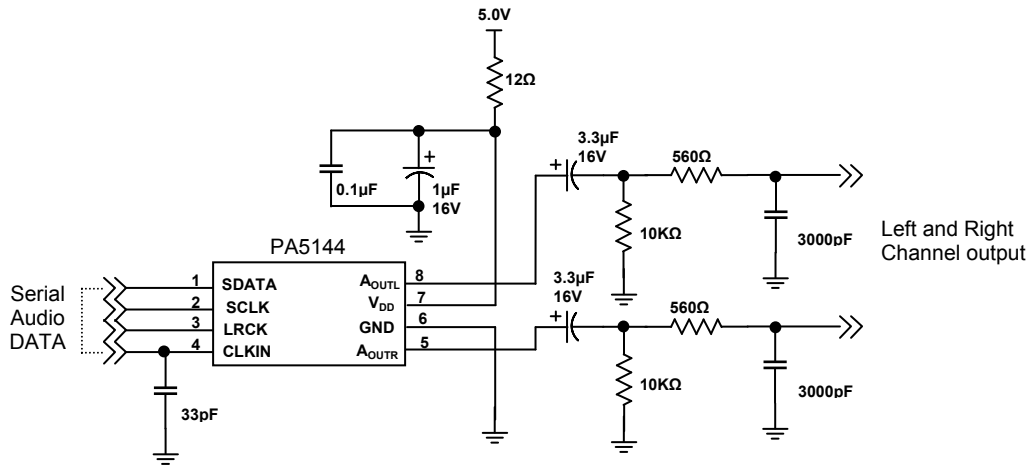
- DVD players
- Portable audio players
- Set top boxes
- Digital TVs

FEATURES

- 95 dB dynamic range
- -85 dB THD+N
- Up to 200 kHz sampling frequency
- I²S audio data format, 16-24 bits
- Single power supply 4.2V to 5.5V

Press Release

TYPICAL APPLICATION



About ProTek Devices

ProTek Devices, based in Chandler, Ariz., provides advanced Analog, Mixed signal and Transient Voltage Suppressor devices for Voice, Video and Data (V2D). With more than 25 years of engineering and manufacturing experience, ProTek provides Analog and TVS solutions which function effectively with the latest high-speed communication and networking products.

For General Information, Contact:

ProTek Devices
561 E Elliott Rd Suite 175
Chandler, Arizona 85252
USA
Tel: 480-539-2900
Fax: 480-747-1715
Email: sales@protekanalog.com
Web: www.protekanalog.com

For Technical Information, Contact:

Ivan Lawson
Tel: 480-539-2900
Email: ivanlawson@protekanalog.com