

Press Release

PA5155 Low Power Stereo Audio CODEC with Headphone Amplifier



Chandler, Ariz., January, 2010

ProTek Analog a division of ProTek Devices introduces the PA5155 a Low Power Stereo Audio CODEC with Headphone Amplifier

PA5155 is a high performance, low power and low cost audio CODEC. It consists of 2-ch DAC, headphone amplifier, digital sound effects, and analog mixing and gain functions.

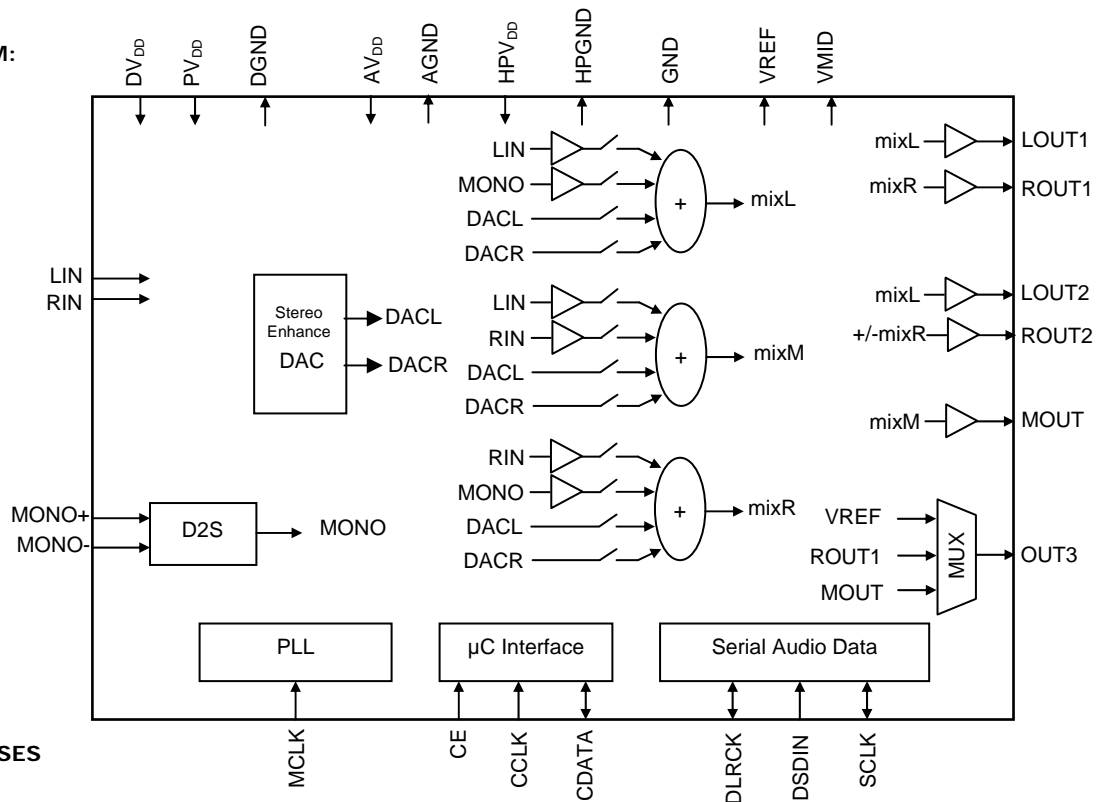
The device uses advanced multi-bit delta-sigma modulation technique to convert data between digital and analog.

The multi-bit delta-sigma modulators make the device with low sensitivity to clock jitter and low out of band noise.

The PA5155 is available in a QFN-28 package and is specified for operation over the -40°C to +85°C temperature range.

Sample quantities are available upon request. SPICE model and parameters are available for circuit simulation on request.

BLOCK DIAGRAM:



APPLICATION USES

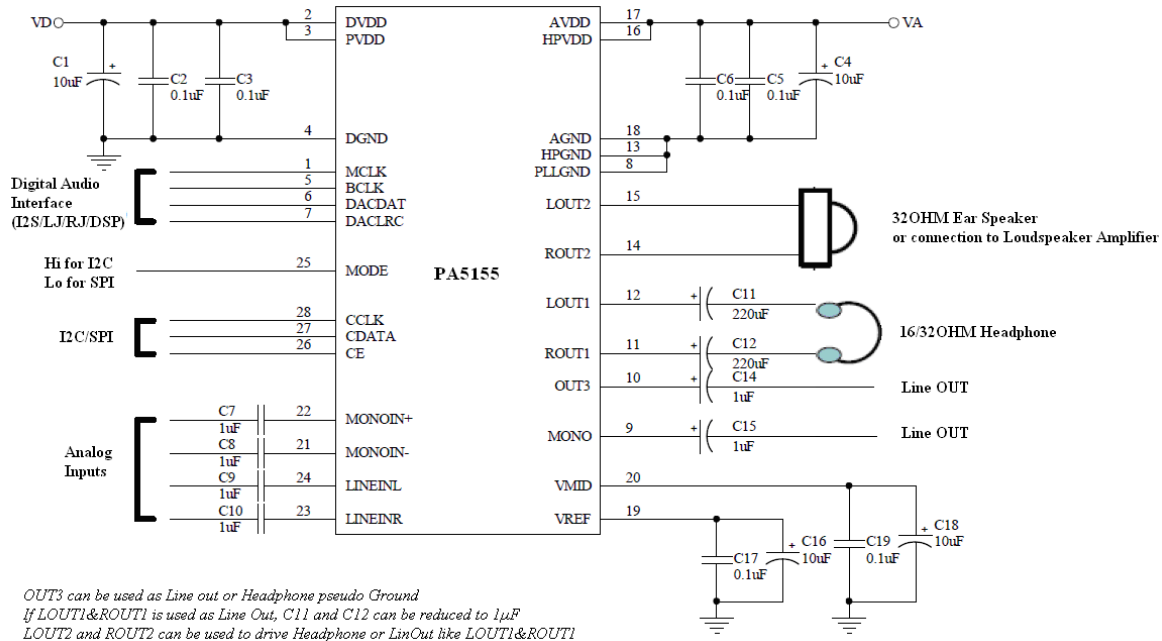
- GPS
- Bluetooth
- MP3, MP4, PMP
- Cell phone
- Digital camera, camcorder
- Portable audio devices

Press Release

FEATURES

- **DAC**
- 24-bit, 8 kHz to 96 kHz sampling frequency
- 96 dB dynamic range, 96 dB signal to noise ratio, -83 dB THD+N
- 40 mW headphone amplifier, pop noise free, capless option
- Stereo enhancement
- Bass and Treble
- Various analog output mixing and gains
-
- **Low Power**
- 1.8V to 3.3V operation
- 7 mW playback
-
- **System**
- I²C or SPI uC interface
- 256Fs, 384Fs, USB 12 MHz or 24 MHz
- Master or slave serial port
- I²S, Left Justified, DSP/PCM Mode
- Fractional PLL for wide range of system clocks

TYPICAL APPLICATION



Press Release

About ProTek Devices

ProTek Devices, based in Chandler, Ariz., provides advanced Analog, Mixed signal and Transient Voltage Suppressor devices for Voice, Video and Data (V2D). With more than 25 years of engineering and manufacturing experience, ProTek provides Analog and TVS solutions which function effectively with the latest high-speed communication and networking products.

For General Information, Contact:

ProTek Devices
561 E Elliott Rd Suite 175
Chandler, Arizona 85252
USA
Tel: 480-539-2900
Fax: 480-747-1715
Email: sales@protekanalog.com
Web: www.proteanalog.com

For Technical Information, Contact:

Ivan Lawson
Tel: 480-539-2900
Email: ivanlawson@protekanalog.com

