

Features

- CMOS Technology for Bus and Analog Applications
- Low On-Resistance: 0.6Ω.
- V_{CC} Range: 1.8V to 4.2V
- Rail-to-Rail Signal Range
- High Off Isolation: -75dB @ 100kHz
- Crosstalk Rejection: -90dB @ 100kHz
- Bandwidth f_{CO} = 100MHz
- Break-Before-Make Switching
- Extended Industrial Temperature Range: -40°C to 85°C
- LoPro® Packaging (Pb-free): 10-Lead Micro Package

Applications

- Cell Phones
- PDAs
- MP3 players
- Portable Instrumentation
- Computer Peripherals
- Speaker Headset Switching
- Power Routing
- Relay Replacement
- Audio and Video Signal Routing
- PCMCIA Cards
- Modems

Pin Descriptions

Pin No.	Name	Description
1	V _{CC}	Positive Power Supply
2,10	NO _x	DATA Port (Normally Open)
3,9	COM _x	Common Port / DATA Port
4,8	IN _x	Logic Control
5,7	NC _x	DATA Port (Normally Closed)
6	GND	Ground

Logic Function Table

Logic Input (IN _x)	Function
0	NC _x Connected to COM _x
1	NO _x Connected to COM _x

Description

ProTek Analog's PA2223 is a dual high-bandwidth, fast single-pole double throw (SPDT) CMOS switch. It can be used as an analog switch or as a low-delay bus switch. Specified over a operating power supply voltage, 1.8V to 4.2V, the PA2223 has an On-Resistance of 0.6Ω at +2.7V. Break-before-make switching prevents both switches being enabled simultaneously. This eliminates signal disruption during switching.

Functional Block Diagram

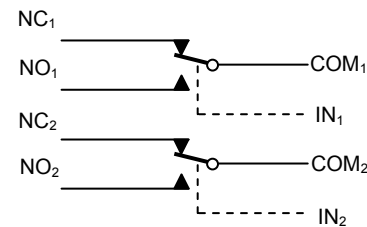
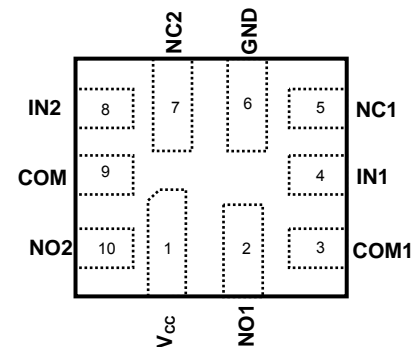


Fig. 1 PA2223

Pin Configuration (Top View)



Ordering Information

Temperature Range	Package	Part Number
-40 to 85 °C	10 Lead LoPro	PA2223-T7

Absolute Maximum Ratings⁽¹⁾

Supply Voltage VCC	4.5V
DC Switch Voltage (VS) ⁽²⁾	V _{CC} +0.5V
DC Input Voltage (VIN) ⁽²⁾	4.5V
Analog Signal Range.....	Min -1.0 to Max V _{CC} +1.0
Continuous Current NO_NC_COM_	±300mA Peak
Current NO_NC_COM_	±300mA Peak
(pulsed at 1ms 50% duty cycle)	±400mA Peak
Current NO_NC_COM_	±300mA Peak
(pulsed at 1ms 10% duty cycle)	±500mA
Storage Temperature Range (TSTG) ..	-65°C to +150°C
Junction Temperature under Bias (TJ).....	150°C
Junction Lead Temperature (TL)	
(Soldering, 10 seconds).....	260°C

Notes:

1. "Absolute Maximum Ratings" may cause permanent damage to the device. This is a stress only rating and operation of the device at these or any other conditions beyond those indicated in the operational sections of this specification is not implied.
2. The input and output negative voltage ratings may be exceeded if the input and output diode current ratings are observed.
3. Control input must be held HIGH or LOW; it must not float.
4. Internal Resistance R_{TERM} is guaranteed by design and not production tested.

 Power Dissipation (PD) @ +85°C250mW
Recommended Operating Conditions⁽³⁾

Supply Voltage Operating (V _{CC})	1.8V to 4.2V
Control Input Voltage (V _{IN}).....	0V to V _{CC} Switch Input
Voltage (V _{IN}).....	-0.3V to V _{CC} Output Voltage
(V _{OUT}).....	0V to V _{CC}
Operating Temperature (T _A).....	-40°C to +85°C
Input Rise and Fall Time (t _r ,t _f)	
Control Input V _{CC} = 2.3V - 3.6V.....	0ns/V to 10ns/V
Thermal Resistance (θ _{JA}).....	350°C/W
Lead Temperature (soldering 10s).....	+240°C

Capacitance

Parameter	Symbol	Test Conditions	Min	Typ	Max	Unit
NC Off Capacitance	C _{NC(OFF)}	f =1MHz, See Test Circuit Figure7.		35		pF
NO Off Capacitance	C _{NO(OFF)}	f =1MHz, See Test Circuit Figure7.		35		
NC On Capacitance	C _{NC(ON)}	f =1MHz, See Test Circuit Figure8.		95		
NO On Capacitance	C _{NO(ON)}	f =1MHz, See Test Circuit Figure8.		95		
Control Pin Input Capacitance	C _{IN}	f =1MHz, See Test Circuit Figure7.		1.5		

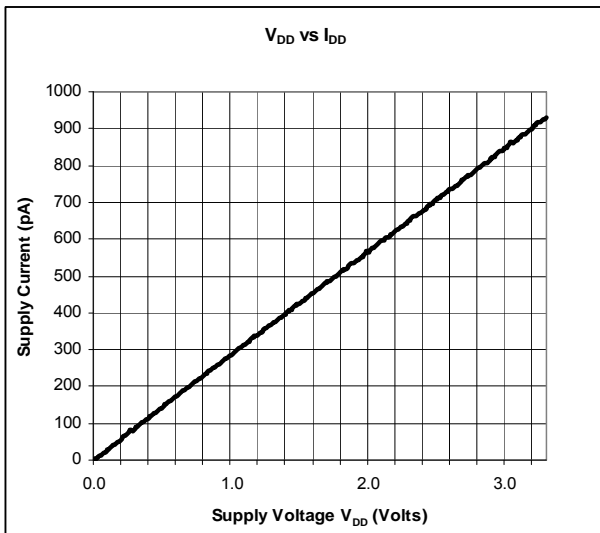
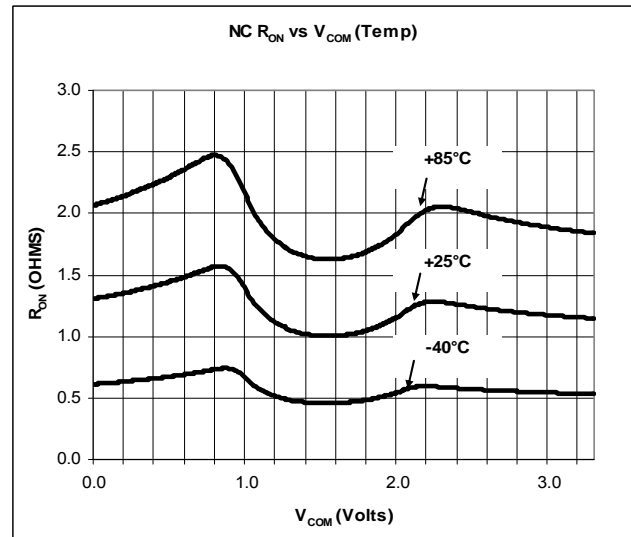
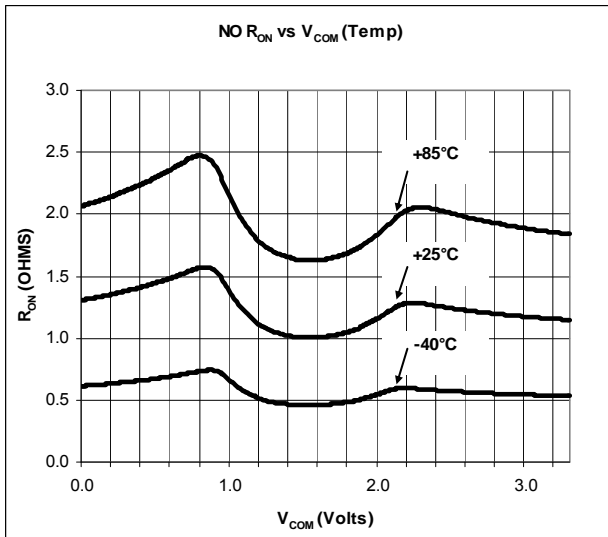
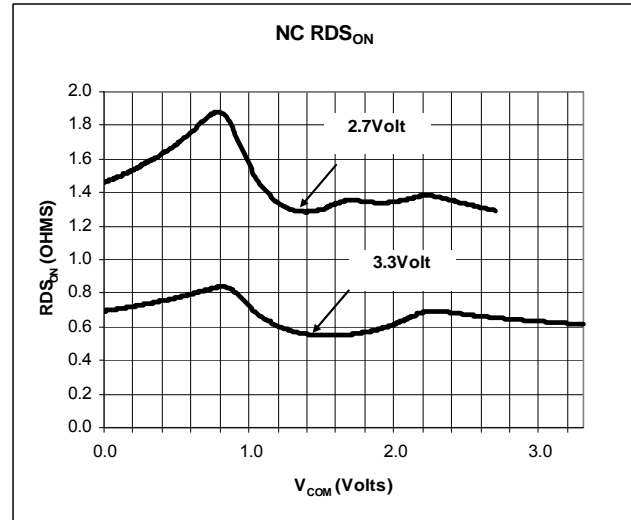
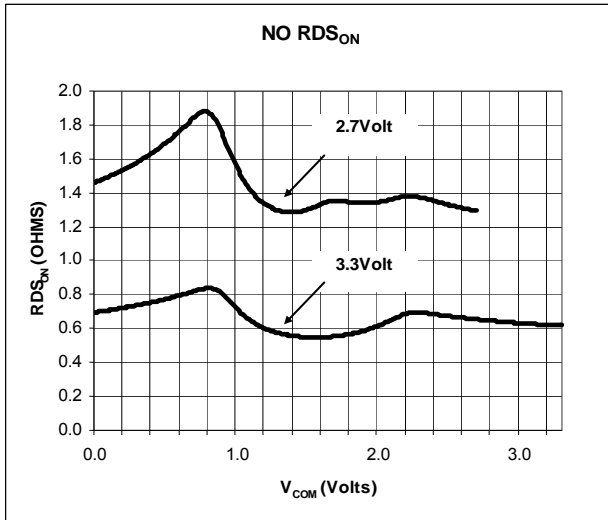
DC Electrical Characteristics +3V Supply
(V_{CC} = 2.7V to 3.3V, T_A = -40°C to 85°C, unless otherwise noted. Typical values are at 3V and +25°C.)

Parameter	Symbol	Test Conditions	Min	Typ	Max	Unit
Analog Switch						
Analog Signal Range	V _{NO} , V _{NC} , V _{COM}		-0.3		V _{CC}	V
NC On-Resistance	R _{ON(NC)}	V _{CC} = 2.7V, I _{COM} = 100mA, V _{NC} = 0 to V _{CC}		0.4	0.6	Ω
NO On-Resistance	R _{ON(NO)}	V _{CC} = 2.7V, I _{COM} = 100mA, V _{NO} = 0 to V _{CC}		0.4	0.6	
On-Resistance Match Between Channels	ΔR _{ON}	V _{CC} = 2.7V, I _{COM} = 100mA, V _{NO} or V _{NC} = 1.5V		0.01	0.05	
NC On-Resistance Flatness	R _{ONF(NC)}	V _{CC} = 2.7V, I _{COM} = 100mA, V _{NC} = 0 to V _{CC}			0.2	
NO On-Resistance Flatness	R _{ONF(NO)}	V _{CC} = 2.7V, I _{COM} = 100mA, V _{NO} = 0 to V _{CC}			0.2	
NO or NC Off Leakage Current	I _{OFF(NO)} or I _{OFF(NC)}	V _{CC} = 3.3V, I _{COM} , V _{NO} or V _{NC} = 3.0V, 0.3V V _{COM} = 0.3V, 3.0V	-20		20	nA
COM On Leakage Current	I _{COM(ON)}	V _{CC} = 3.3V, I _{COM} , V _{NO} or V _{NC} = 3.0V, 0.3V V _{COM} = 0.3V, 3.0V or Floating	-20		20	
Digital I/O						
Input Logic High	V _{IH}		1.3			V
Input Logic Low	V _{IL}				0.5	
Input Hysteresis	V _H	V _{CC} = 3.3V		300		mV
IN Input Leakage Current	I _{IN}	V _{IN} = 0 or V _{CC}	-0.5		0.5	μA
Supply Current	I _{CC}	V _{CC} = 3.6V, V _{IN} = 0 or V _{CC}		0.9	1.2	nA

Switch and AC Characteristics

Parameter	Symbol	Test Conditions	Min	Typ	Max	Unit
Turn-On Time	t _{ON}	V _{CC} = 2.7V, V _{NO} or V _{NC} = 1.5V, R _L = 50Ω, C _L = 35pF. See Test Circuit Figure 1 & 2		15	25	nS
Turn-Off Time	t _{OFF}	V _{CC} = 2.7V, V _{NO} or V _{NC} = 1.5V, R _L = 50Ω, C _L = 35pF. See Test Circuit Figure 1 & 2		4	10	
Break-Before-Make Delay	t _{BBM}	V _{CC} = 2.7V, V _{NO} or V _{NC} = 1.5V, R _L = 50Ω, C _L = 35pF. See Test Circuit Figure 3			20	
Charge Injection	Q	COM = 0, R _S = 0, C _L = 1nF. V _{GEN} = 0 See Test Circuit Figure 4		55		pC
Off-Isolation	Q _{IRR}	C _L = 5pF, R _L = 50Ω, f = 100kHz, V _{COM} = 1V _{RMS} See Test Circuit Figure 5		-75		dB
Crosstalk	X _{TALK}	C _L = 5pF, R _L = 50Ω, f = 100kHz, V _{COM} = 1V _{RMS} See Test Circuit Figure 6		-90		
3dB Bandwidth	f _{3dB}	See Test Circuit Figure 9		100		MHz

Typical Characteristics



Note: Characteristics are guaranteed by design and are not production tested.

Test Circuits and Timing Diagrams

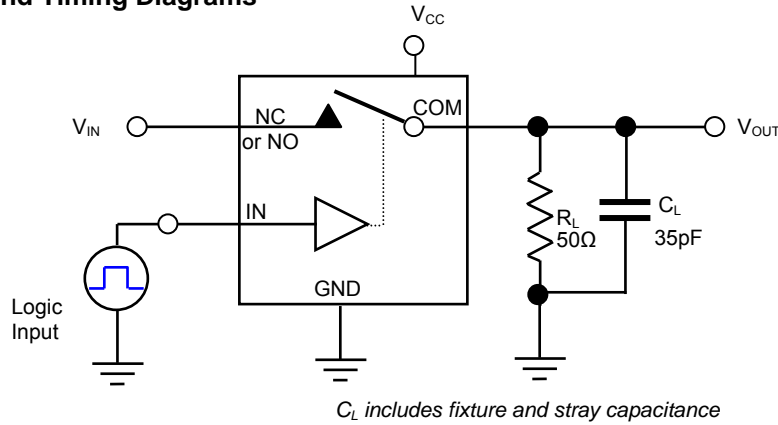
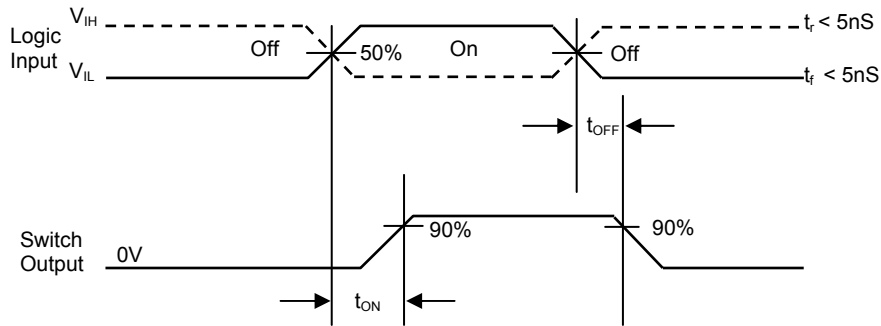


Figure 1. AC Test Circuit

Note1. Unused Input (NO or NC) must be grounded



Logic Input Waveforms inverted for Switches that have opposite logic

Figure2 AC Waveforms

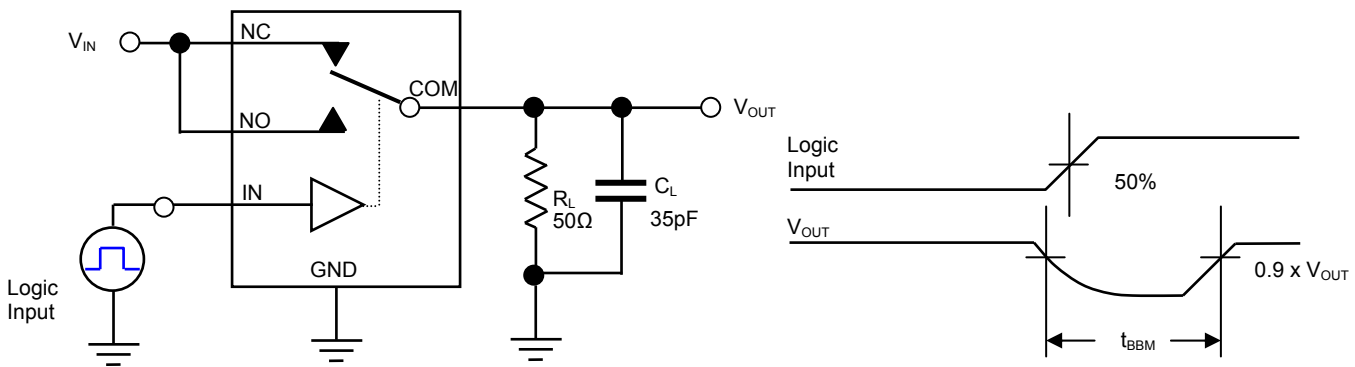


Figure 3. Break Before Make Interval Timing

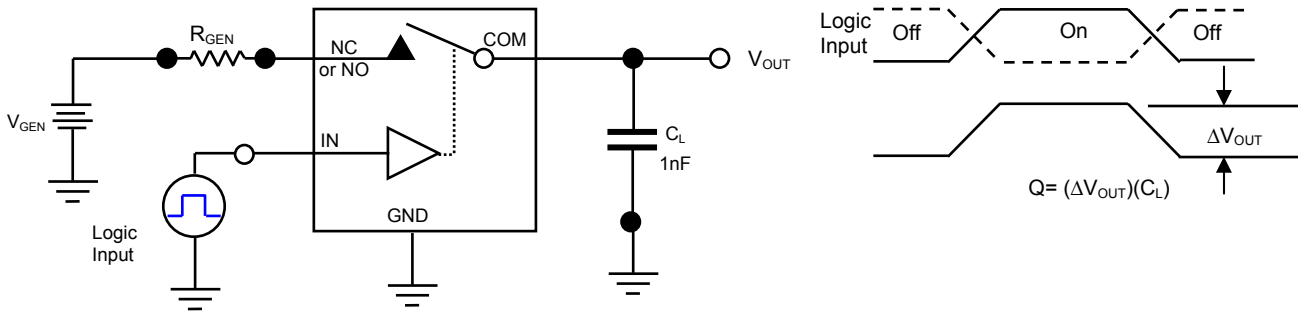


Figure 4. Charge Injection Test

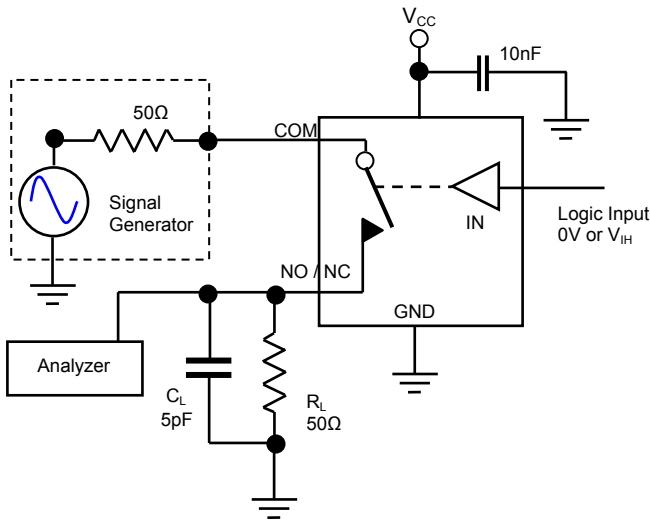


Figure 5. Off Isolation

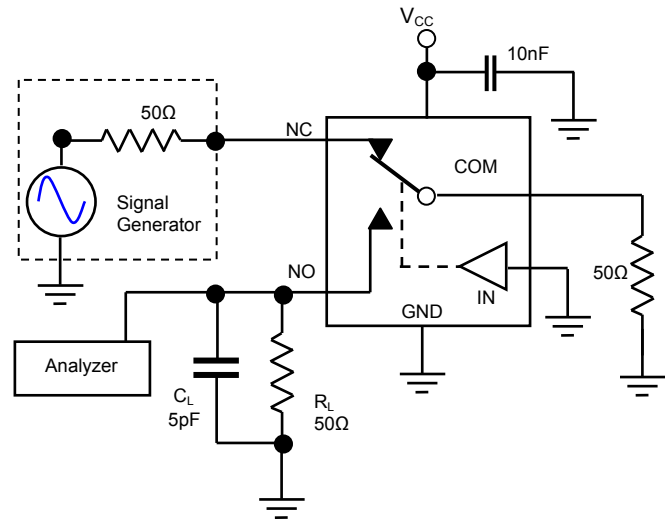


Figure 6. Crosstalk

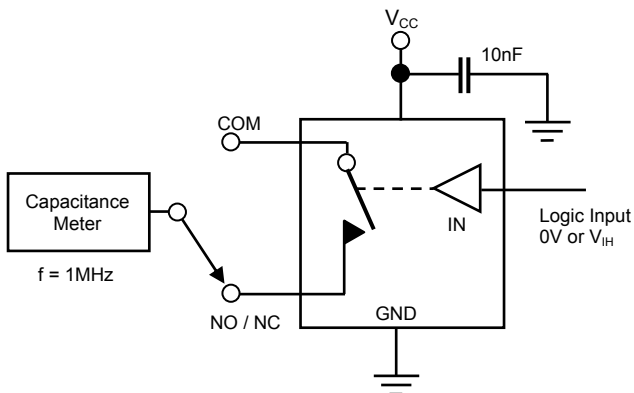


Figure 7. Channel Off Capacitance

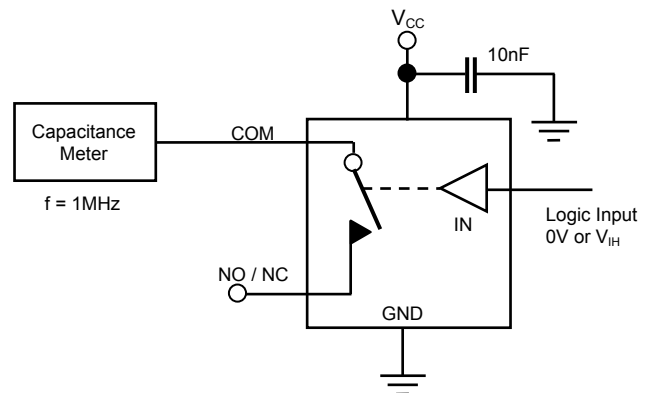


Figure 8. Channel On Capacitance

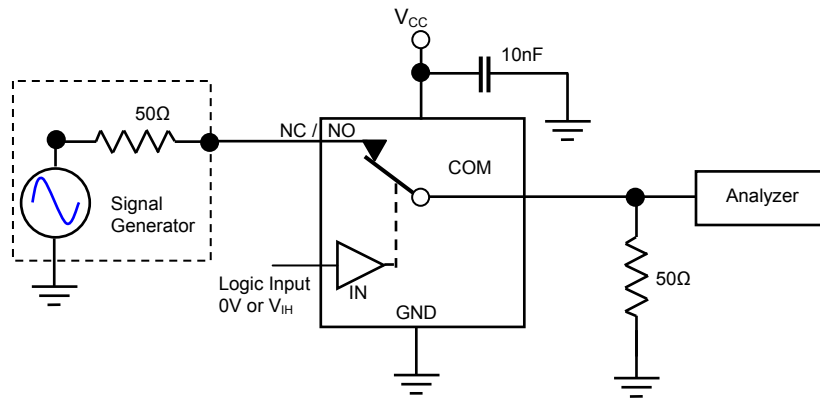
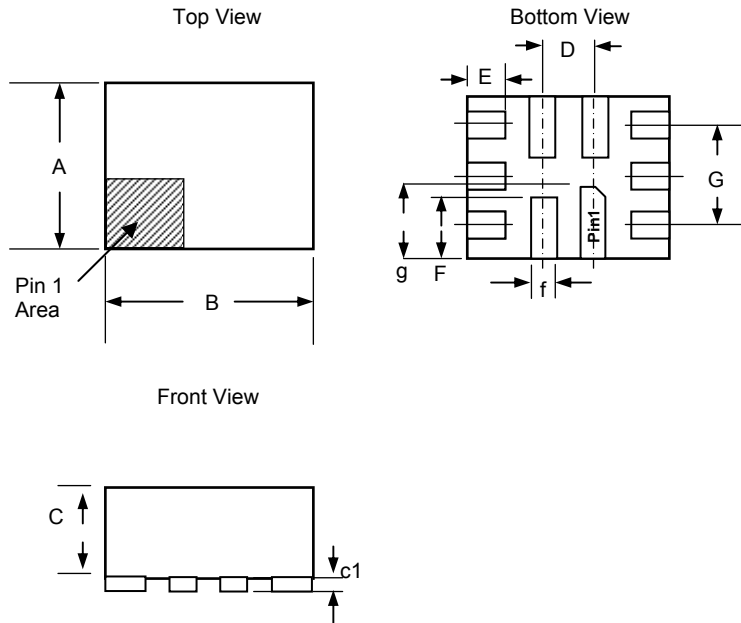


Figure 9. Bandwidth

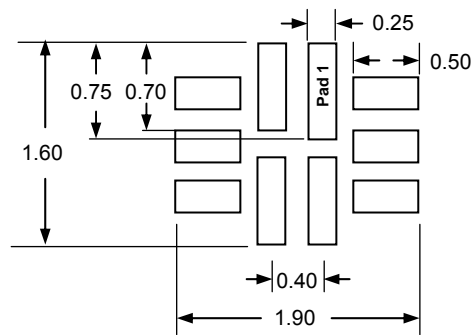
Package Layout and Dimensions



DIM	MIN	TYP	Max
A	1.25	1.30	1.35
B	1.55	1.60	1.65
C	0.50	0.55	0.60
D	0.40		
E	0.29	0.30	0.31
F	0.49	0.50	0.51
G	0.80 REF		
c	0.00 - 0.05		
c1	0.10 REF		
f	0.15	0.20	0.25
g	0.59	0.60	0.61

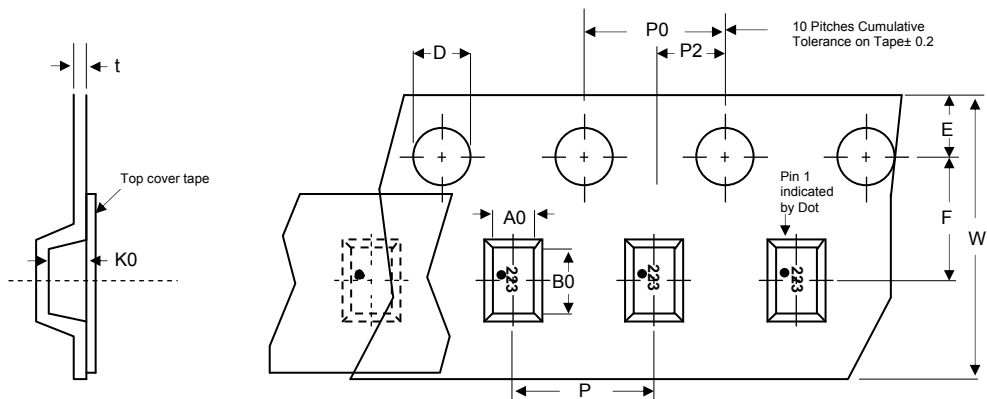
Note: Package Dimensions in millimeters

Recommended Land Pattern



Tape and Reel Specifications

Reel Dia	A0	B0	K0	D	E	F	W	P0	P2	P	t-max
178 (7")	1.47±0.05	1.73±0.05	0.65±0.05	1.50±0.10	1.75±0.10	3.50±0.05	12.00±0.30	4.00±0.10	2.00±0.05	4.00±0.10	0.25



Life Support Policy

PROTEK ANALOG'S PRODUCTS ARE NOT AUTHORIZED FOR USE AS CRITICAL COMPONENTS IN LIFE SUPPORT DEVICES OR SYSTEMS WITHOUT THE EXPRESS WRITTEN APPROVAL OF THE PRESIDENT OF PROTEK DEVICES.

561 E. Elliot Road #175, Chandler, AZ 85225 Tel: (480) 539-2900. Fax: (480)632-1715

www.protekanalog.com

95252 REV0. 05/10

NOT FOR USE IN LIFE SUPPORT SYSTEMS

